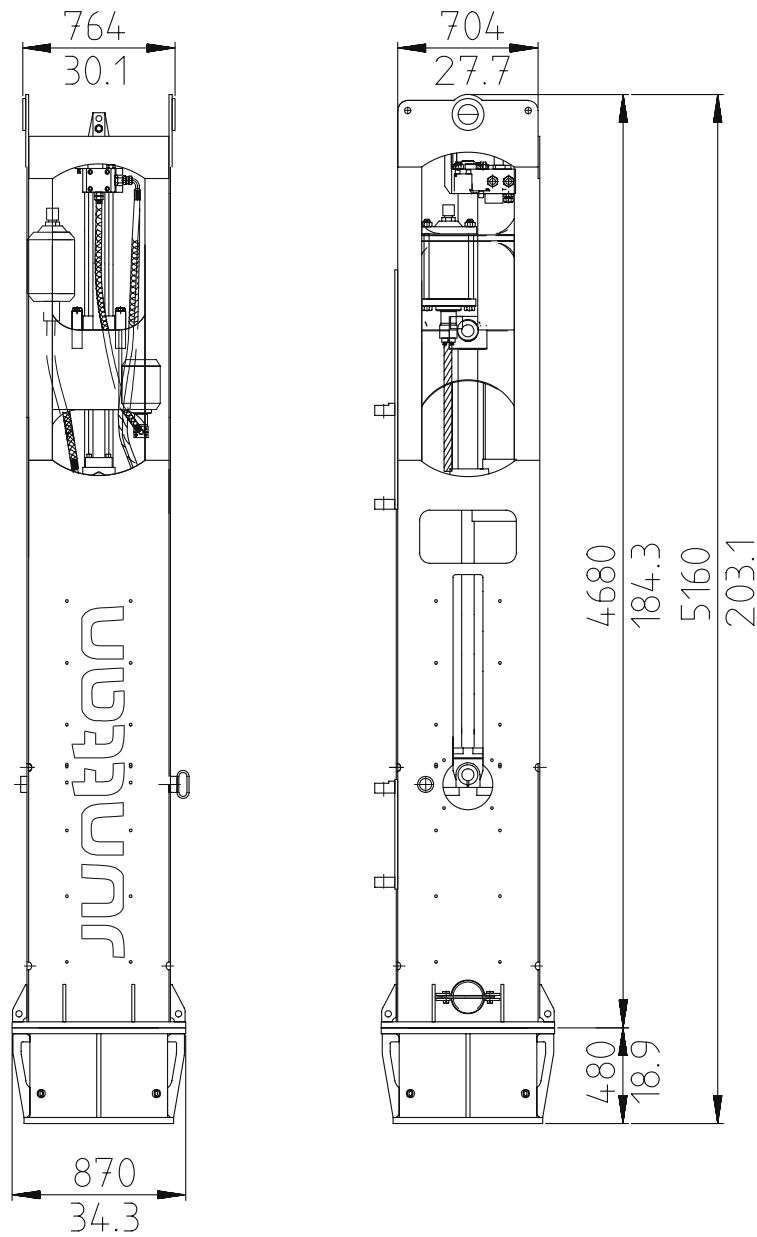


Hydraulic Impact Hammer

HHK3A

HHK3/4A
HHK3/4/5A
HHK3/5A



JUNTTAN HHK3A

Max. energy		35 kNm	26 036 ft-lb
Max drop height		1,2 m	3.94 ft
Blows per minute		40 - 100	40 - 100
Ram weight		3 000 kg	6 614 lb
Total weight	including A-type drive cap	6 000 kg	13 228 lb
Oil flow		304 l/min	80 gpm
Operating pressure		110 bar	1 595 psi
Theoretical power output		56 kW	76 hp
Hoses			
	- pressure line	38 mm	1 ½ inch
	- return line	38 mm	1 ½ inch
Drive cap housing (std)	Ø:	650 mm	25.6 inch
Drive cap types	A-type:	for metal tubes	for metal tubes
	B-type:	for concrete piles	for concrete piles
Drive cap max. inner diameter	A-type:	Ø 620 mm	23.6 inch
	B-type:	□ 370 x 370	14.6 x 14.6
Larger drive cap diameters available on special request			
Suitable Piling Rigs		PMx20 - PMx25, PM23, PM25H	PMx20 - PMx25, PM23, PM25H
Suitable Powerpacks		10XCU, 15 CCU - 30 CCU	10XCU, 15 CCU - 30 CCU

Accessories

* Guide claws			* Lifting cat
* Extensions			* Flying leader
* Energy measurement device			* Additional noise insulation package
* Additional drive caps			* Powerpacks
* Pile sleeves			

Technical details with extensions

JUNTTAN HHK3/4/5A	4T	5T	4T	5T
Max. energy	47 kNm	59 kNm	34 718 ft-lb	43 398 ft-lb
Max drop height	1,2 m	1,2 m	3.94 ft	3.94 ft
Blows per minute	40 - 100	40 - 100	40 - 100	40 - 100
Ram weight	4 000 kg	5 000 kg	8 818 lb	11 023 lb
Total weight including A-type drive cap	7 200 kg	8 400 kg	15 873 lb	18 519 lb
Oil flow	304 l/min	304 l/min	80 gpm	80 gpm
Operating pressure	141 bar	175 bar	2 045 psi	2 538 psi
Theoretical power output	71 kW	89 kW	97 hp	121 hp
Suitable Piling Rigs	PMx20 - PMx25, PM23, PM25H	PMx20 - PMx25, PM23, PM25H	PMx20 - PMx25, PM23, PM25H	PMx20 - PMx25, PM23, PM25H
Suitable Powerpacks	10XCU, 15 CCU - 30 CCU	10XCU, 15 CCU - 30 CCU	10XCU, 15 CCU - 30 CCU	10XCU, 15 CCU - 30 CCU

Junttan

Junttan Oy
P.O. Box 1702 (Matkusentie 7)
FI-70701 KUOPIO, Finland

Tel. +358 10 195 221
Fax +358 17 287 4411
junttan@junttan.com